

深圳市宇畅达电子有限公司

承 认 书

SPECIFICATION FOR APPROVAL

客户名称:

Customer Name : _____

客户料号:

Customer P/N: _____

产品名称:

功率电感

Product Name: _____

宇畅达料号:

SNR5020TYD-系列

Yuchangda P/N: _____

制造厂商 Manufacturer	
拟制 Draft	黄小香
审核 Check	符妃团
日期 Date	2022-6-10

客户承认印章 Approval Signet	
日期 Date	

地址: 深圳市光明区玉塘街道光明高新园侨德科技园A座9楼.

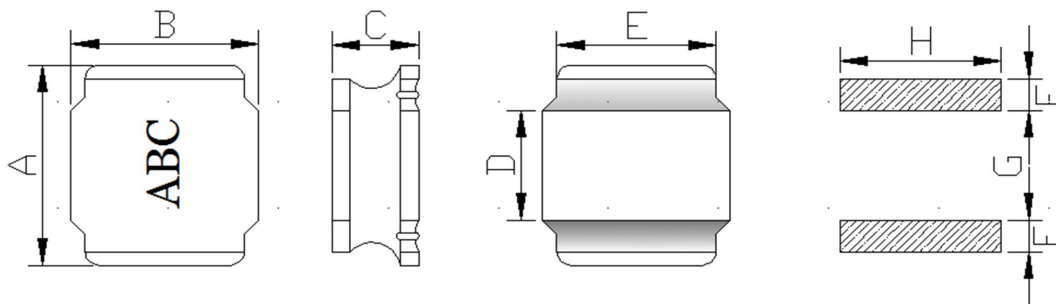
Address: 9th Floor, Block A, Qi aode Science and Technology Park, Guangming High-tech Park, Yutang Street, Guangming District, Shenzhen

电子邮件E mail: wyf_ycd@163.com

文件编号 File Number	YCD-WI-3633	版本号 Version Number	A	页码 page	1/3
---------------------	-------------	-----------------------	---	------------	-----

1、外形尺寸 Dimension :

单位Unit: mm



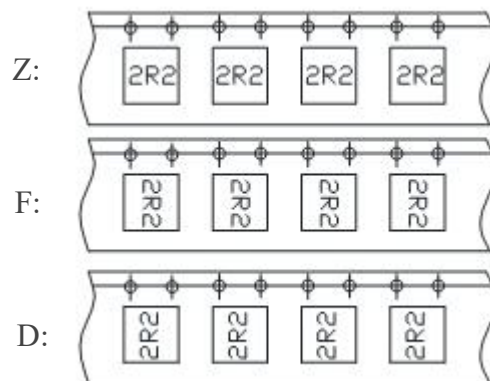
A	5.00±0.2
B	5.00±0.2
C	2.0 Max
D	2.5±0.3
E	4.0 Ref
F	1.3 Ref
G	2.3 Ref
H	4.7 Ref

2、产品品名构成 Product Spec. Model

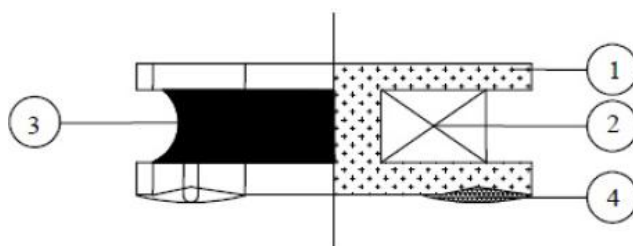
SNR 5020T Y D - 2R2 M
a b c d e f

- a: 系列名称 Series name
- b: 产品尺寸 Product dimensions (A x B x C)
- c: 密封方式 Sealing way (L: 冷封 Cold seal Y: 热封 Heat seal)
- d: 印字方向 Lettering direction ▶
- e: 电感值 Inductance Value
(1R0:1.0uH; 100: 10uH; 101:100uH)
- f: 电感公差 Inductance Tolerance (K:10% ; M:20% ; N:30%)

▶ Lettering direction



3、结构 Structure



4、材料清单 MATERIAL LIST

NO.	PARTS	MATERIAL	UL FILE NO.	TEMP. CLASS
1	DRUM CORE	Ni-Zn CORE OR EQUIVALENT	NA	NA
2	WIRE	POLYURETHANE ENAMELLED COPPER WIRE OR EQUIVALENT	E258243	180°C
3	ADHESIVE	EPOXY RESIN OR EQUIVALENT	NA	NA
4	SOLDER	Sn99.3-Cu0.7 OR EQUIVALENT	NA	NA

*NA:NOT APPLICABLE.

文件编号 File Number	YCD-WI-3633	版本号 Version Number	A	页码 page	2/3
---------------------	-------------	-----------------------	---	------------	-----

5、电性能参数表 Electrical Characteristics List

规格型号 Part NO.	电感量 Tolerance(μ H)	测试频率 Test Freq. (kHz/v)	直流电阻 DC Max (Ω)	饱和电流 Isat (A)	温升电流 Irms (A)
SNR5020TYD-R22M	0.22	100/0.25	0.011	9.00	5.30
SNR5020TYD-R24M	0.24	100/0.25	0.011	8.00	5.30
SNR5020TYD-R47M	0.47	100/0.25	0.017	6.15	4.60
SNR5020TYD-R56M	0.56	100/0.25	0.022	8.50	3.80
SNR5020TYD-R68M	0.68	100/0.25	0.022	5.50	4.00
SNR5020TYD-1R0M	1.0	100/0.25	0.026	4.10	3.80
SNR5020TYD-1R5M	1.5	100/0.25	0.034	4.10	3.20
SNR5020TYD-2R2M	2.2	100/0.25	0.042	3.20	2.90
SNR5020TYD-3R3M	3.3	100/0.25	0.056	2.55	2.50
SNR5020TYD-4R7M	4.7	100/0.25	0.074	2.50	2.20
SNR5020TYD-5R6M	5.6	100/0.25	0.083	2.30	2.05
SNR5020TYD-6R8M	6.8	100/0.25	0.108	2.05	1.80
SNR5020TYD-8R2M	8.2	100/0.25	0.127	1.85	1.65
SNR5020TYD-100M	10	100/0.25	0.143	1.70	1.55
SNR5020TYD-150M	15	100/0.25	0.215	1.35	1.25
SNR5020TYD-220M	22	100/0.25	0.294	1.15	1.10
SNR5020TYD-270M	27	100/0.25	0.380	1.00	0.95
SNR5020TYD-330M	33	100/0.25	0.507	0.92	0.90
SNR5020TYD-470M	47	100/0.25	0.680	0.77	0.77
SNR5020TYD-680M	68	100/0.25	0.962	0.65	0.64
SNR5020TYD-101M	100	100/0.25	1.430	0.53	0.53
SNR5020TYD-151M	150	100/0.25	1.850	0.40	0.45
SNR5020TYD-201M	200	100/0.25	2.600	0.35	0.40
SNR5020TYD-221M	220	100/0.25	3.470	0.33	0.26
SNR5020TYD-471M	470	100/0.25	5.570	0.27	0.13
SNR5020TYD-122M	1200	100/0.25	13.800	0.13	0.06

※公差Tolerance: N: \pm 30%、M: \pm 20%、K: \pm 10%.

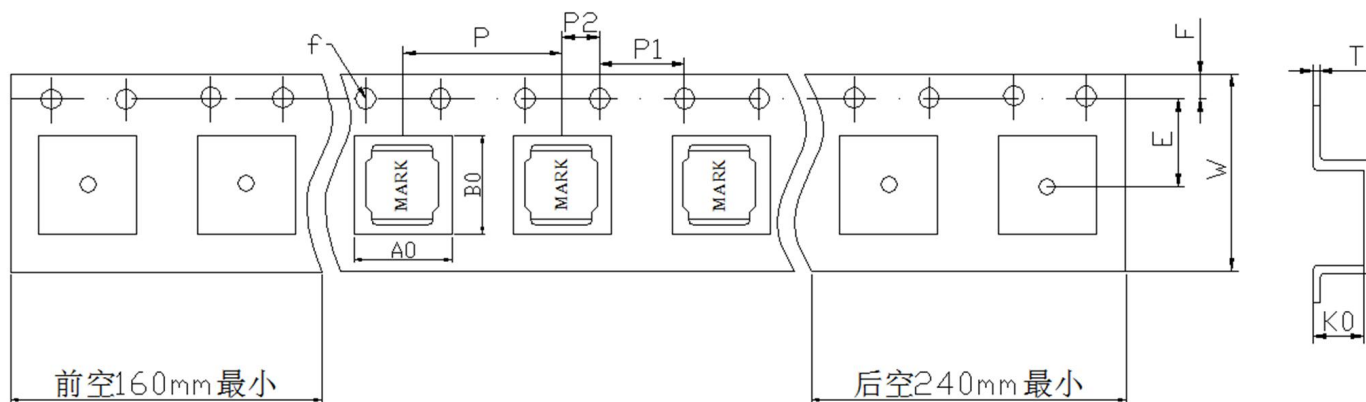
※工作温度Operating temperature rang: -40 $^{\circ}$ C to +125 $^{\circ}$ C (Including Self-heating)

※储存温度Storage temperature rang: -40 $^{\circ}$ C to +125 $^{\circ}$ C

额定电流: 指使电感量比初始值下降30%或电感器表面温度上升 40 $^{\circ}$ C 的电流值 (参考周围环境温度 25 $^{\circ}$ C)。
The rated DC current is that which cause at 30% inductance reduction from the initial value or inductor surface temperature to rise by 40 $^{\circ}$ C, whichever is smaller (Reference ambient temperature 25 $^{\circ}$ C)。

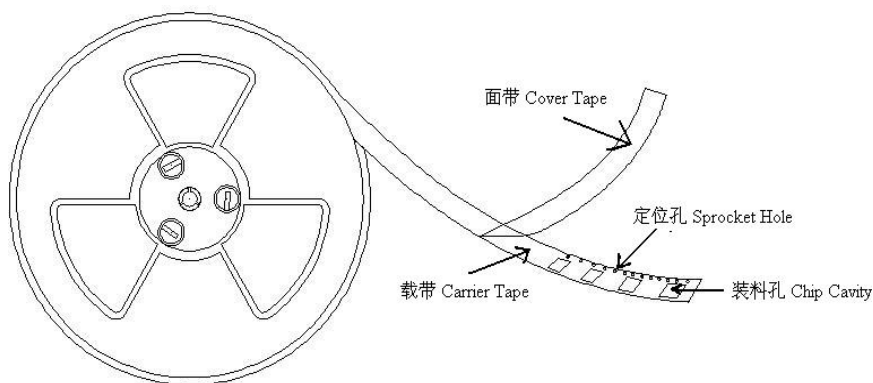
6、产品包装 Packaging

1) 载带包装示意图 Tape packing diagram



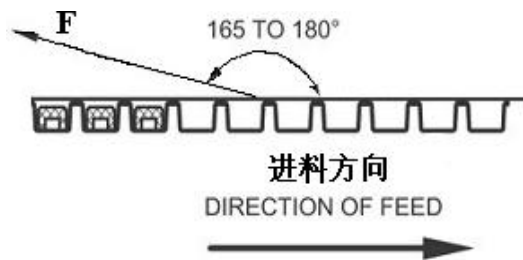
ITEM	W	A0	B0	K0	P	E	F	D0	P0	P2	T
DIM	12.00	5.30	5.30	2.20	8.00	5.50	1.75	1.50	4.00	2.00	0.30
TOLE	±0.3	±0.1	±0.1	±0.1	±0.1	±0.1	±0.1	+0.1	±0.1	±0.1	±0.05

2) 卷盘包装示意图 Tape packing diagram



3) 剥离强度要求 Peeling required

- ① F 力大小: 20~100g;
- ② 面带剥离角度: 165°~180°。



4) 包装数量 Packing quantity

项目	数量 (PCS)	尺寸规格 (mm)
盘	2500	13"
内盒	10000	340mm*340mm*65mm
外箱	20000	360mm*360mm*160mm